

- Type ECS thermostats monitor temperatures inside factories, greenhouses and areas subject to high humidity or regular washdown processes. The liquid filled sensing elements are fixed to the side of the weatherproof enclosures.

ECS..

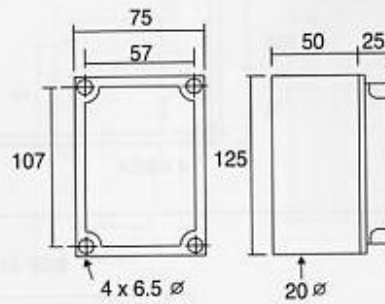


Adjustment under the cover
 Terminals 0.5-2.5mm rising clamps
 Enclosure Flammability = UL94-V2

Type	Range °C	Diff. °C	230VAC SPDT	Sensing Element	Max. Ambient °C	Enclosure
ECS-3	-20/+40	1.5	15(6)A Volt free	Bellows	60	IP65
ECS-4	-20/+40	3.5	15(6)A Volt free	Bellows	60	IP65
ECS-5	-20/+40	5	15(6)A Volt free	Bellows	80	IP65
ECS-6	0/80	2.5	15(4)A Volt free	Bellows	80	IP65

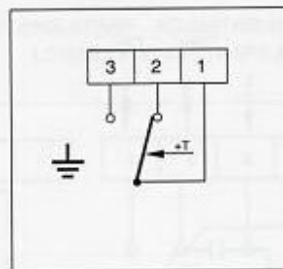
DIMENSIONS:

ECS..

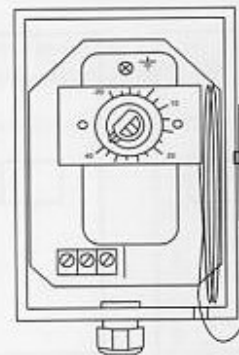


WIRING:

ECS..



Contact 1-2 close on temp fall.



Contact 1-3 close on temp rise.